

Mixer Tap S1000 - Z65

Mixer Taps

Code: 8449 500



DETAILS

Mixer type Single lever mixer tap with rotating barrel and extractable shower head.

Material Brass

Texture Chromed

Rotating angle 180°

Strengthening plate ø55mm

Cartridge With ceramic discs

Mixer hole ø35mm

Max worktop thickness 40 mm

FEATURES

Double jet (flow and rain)

Several models are equipped with a switch to easily change the flow from continuous to shower.

Extractable head

The head of the tap is extractable, in order to easily reach any area of the sink.

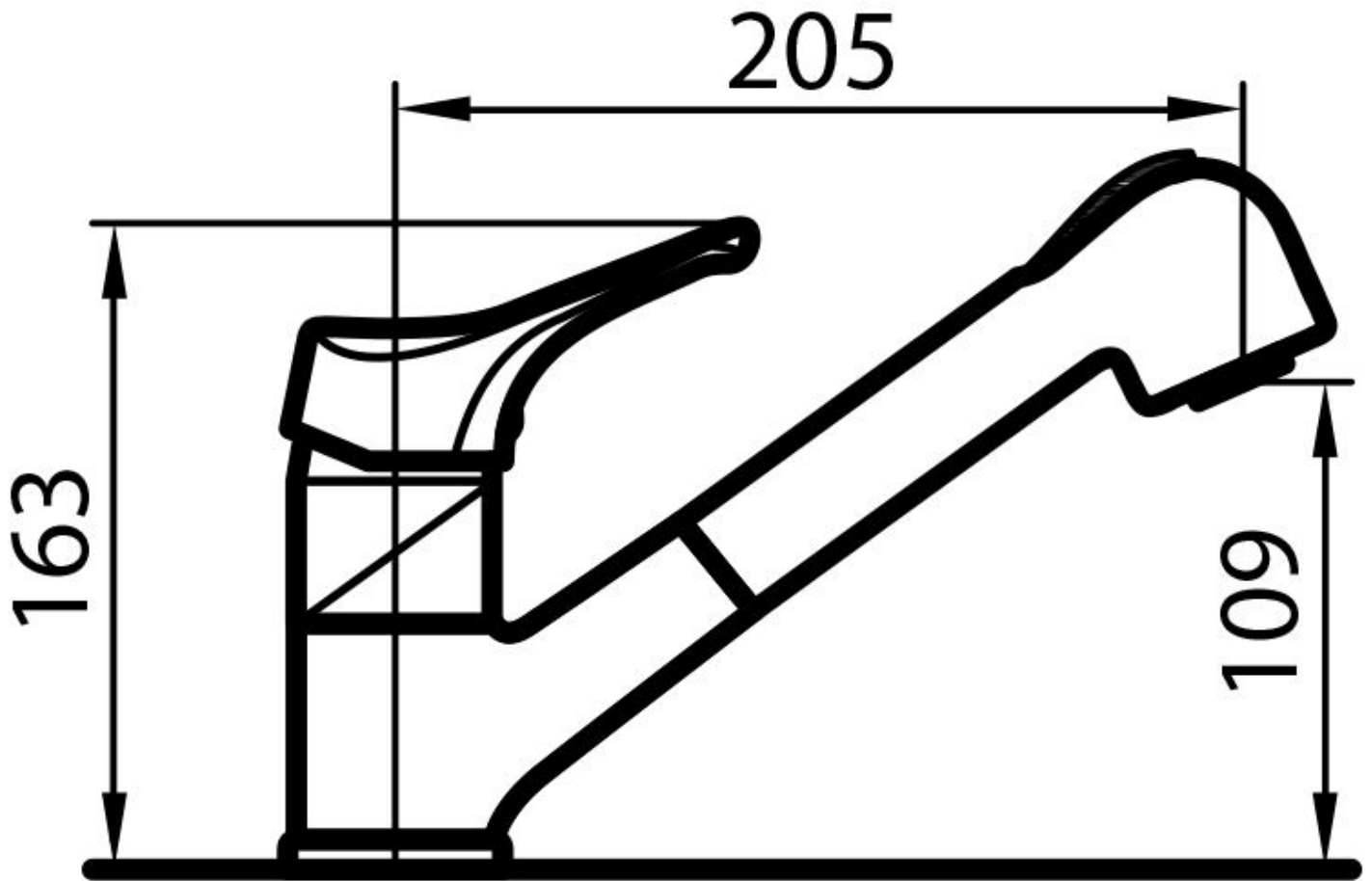
Rotating angle

All the taps have a wide angle of rotation. Some models even permit a full 360° rotation.

Strengthening plate

Foster's mixer taps are equipped with the strengthening plate that offers perfect stability on any sink.

TECHNICAL DATA



GALLERY

